



## 2.4mm Male to 2.4mm Female Adapter, Stainless Steel, Engineering Grade

### RF Adapters Technical Data Sheet

**PE91606**

#### Configuration

- 2.4mm Male Connector 1
- 2.4mm Female Connector 2
- 50 Ohm
- Engineering Grade Design
- Straight Body Geometry

#### Features

- Gold Plated Beryllium Copper Contact
- Max VSWR of 1.3:1 up to 50 GHz

#### Applications

- Connector Saver
- General Purpose Test

#### Description

Pasternack's PE91606 2.4mm male to 2.4mm female adapter is part of our full line of RF components available for same-day shipping. The 2.4mm connector mates mechanically with commercially available 1.85mm (V) connectors. Our 2.4mm to 2.4mm adapter has a male to female gender configuration built of durable stainless steel in an engineering grade design. PE91606 2.4mm male to 2.4mm female adapter operates to 50 GHz. The PE91606 Pasternack RF adapter can also be used as a connector saver to extend equipment life.

RF adapters are often used to enable connections between two connector types that would otherwise not mate. Certain adapter configurations can also be used to protect connectors on expensive equipment where the number of connect/disconnect cycles is high. An RF, microwave or millimeter wave adapter is connected to the equipment, and the commonly changed connection is made with the adapter which can be easily replaced when it wears out after high usage; such adapters are referred to as connector savers. Pasternack also offers bulkhead, panel mount, hermetically sealed, reverse polarity, and isolated ground adapter varieties to serve all of your RF, microwave and millimeter wave needs.

#### Electrical Specifications

Description	Minimum	Typical	Maximum	Units
Frequency Range	DC		50	GHz
VSWR		1.3:1		
Dielectric Withstanding Voltage (AC)			500	Vrms
Insulation Resistance	5,000			MOhms

#### Performance by Frequency

Description	F1	F2	F3	F4	F5	Units
Frequency Range	DC to 4	4 to 8	8 to 10	10 to 25	25 to 50	GHz
Insertion Loss, Max	0.1	0.141	0.158	0.25	0.354	dB

Electrical Specification Notes:  
Values at sea level

Click the following link (or enter part number in "SEARCH" on website) to obtain additional part information including price, inventory and certifications: [2.4mm Male to 2.4mm Female Adapter, Stainless Steel, Engineering Grade PE91606](#)



2.4mm Male to 2.4mm Female Adapter,  
Stainless Steel, Engineering Grade

**RF Adapters Technical Data Sheet**

**PE91606**

**Mechanical Specifications**

**Size**

Length	0.95 in [24.10 mm]
Width	0.31 in [7.90 mm]
Height	0.31 in [7.90 mm]
Weight	0.01 lbs [3.63 g]

Description	Connector 1	Connector 2
Type	2.4mm Male	2.4mm Female
Polarity	Standard	Standard
Mating Cycles, Min	500	500
Mating Torque	7.08 to 9.74 in-lbs [0.80 to 1.10 Nm]	7.08 to 9.74 in-lbs 0.80 to 1.10 Nm
Contact Retention Force, Min	60.7 lbs [27.53 kg]	60.7 lbs [27.53 kg]
Contact Captivation Axial Force, Min	4.5 lbs [2.04 kg]	4.5 lbs [2.04 kg]
Coupling Proof Torque	15 in-lbs [1.7 Nm]	15 in-lbs [1.7 Nm]

**Material Specifications**

Description	Connector 1		Connector 2	
	Material	Plating	Material	Plating
Type	2.4mm Male		2.4mm Female	
Contact	Beryllium Copper	Gold	Beryllium Copper	Gold
Insulation	PPO		PPO	
Outer Conductor			Beryllium Copper	Gold
Body	Stainless Steel	Passivated Stainless Steel	Stainless Steel	Passivated Stainless Steel
Coupling Nut	Beryllium Copper	Gold		

**Environmental Specifications**

**Temperature**

Operating Range -55 to +105 °C

**Humidity**

MIL-STD-202, Method 206

**Thermal Shock**

MIL-STD-202, Method 107, Condition B

**Salt Spray**

MIL-STD-202, Method 101, Condition B

**Compliance Certifications** (see [product page](#) for current document)

**Plotted and Other Data**

Notes:

Click the following link (or enter part number in "SEARCH" on website) to obtain additional part information including price, inventory and certifications: [2.4mm Male to 2.4mm Female Adapter, Stainless Steel, Engineering Grade PE91606](#)



## 2.4mm Male to 2.4mm Female Adapter, Stainless Steel, Engineering Grade

### RF Adapters Technical Data Sheet

**PE91606**

2.4mm Male to 2.4mm Female Adapter, Stainless Steel, Engineering Grade from Pasternack Enterprises has same day shipment for domestic and International orders. Our RF, microwave and millimeter wave products maintain a 99.4% availability and are part of the broadest selection in the industry.

Click the following link (or enter part number in "SEARCH" on website) to obtain additional part information including price, inventory and certifications: [2.4mm Male to 2.4mm Female Adapter, Stainless Steel, Engineering Grade PE91606](https://www.pasternack.com/2-4mm-male-to-2-4mm-female-adapter-stainless-steel-engineering-grade-pe91606-p.aspx)

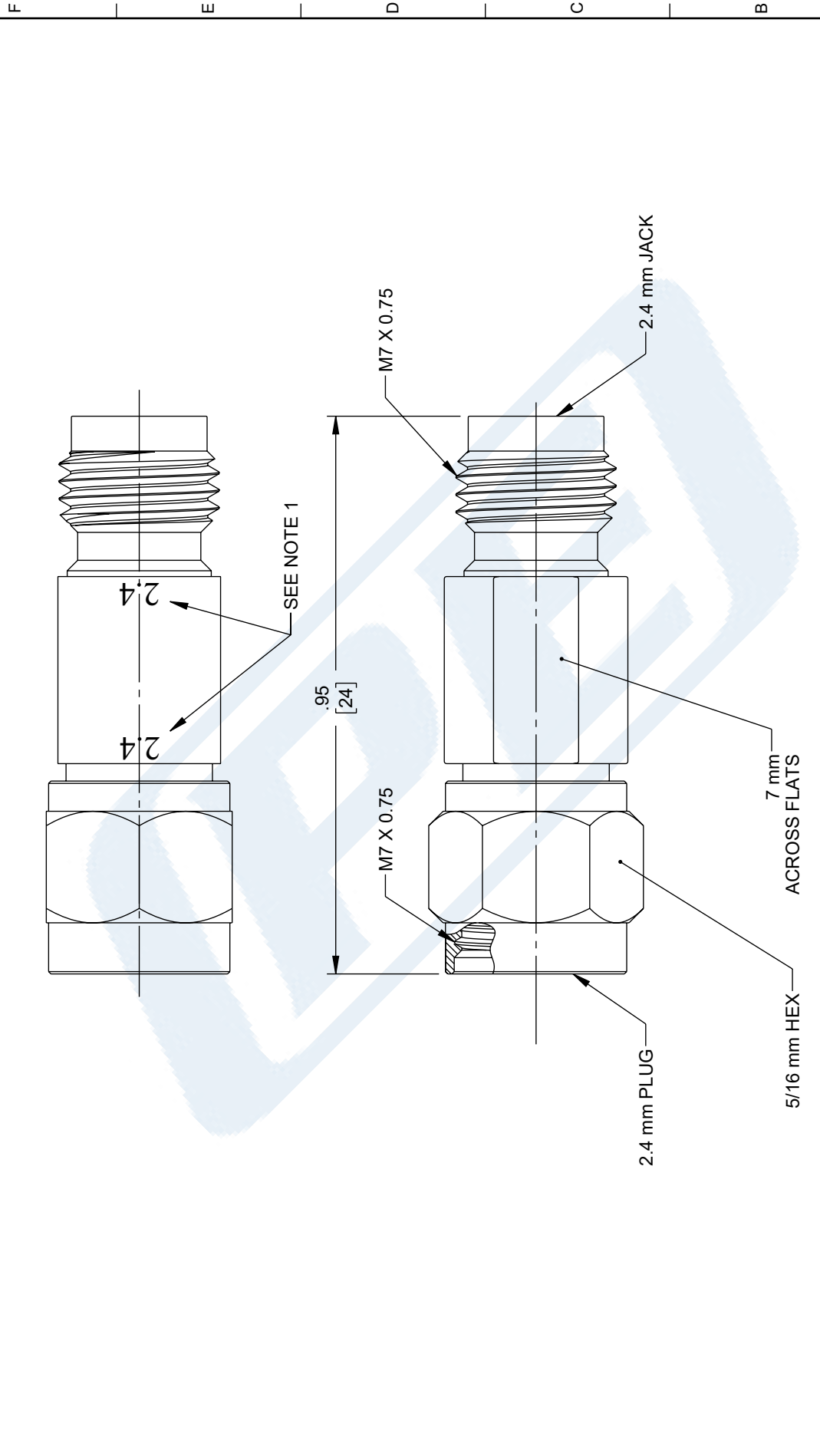
URL: <https://www.pasternack.com/2-4mm-male-to-2-4mm-female-adapter-stainless-steel-engineering-grade-pe91606-p.aspx>

The information contained in this document is accurate to the best of our knowledge and representative of the part described herein. It may be necessary to make modifications to the part and/or the documentation of the part, in order to implement improvements. Pasternack reserves the right to make such changes as required. Unless otherwise stated, all specifications are nominal. Pasternack does not make any representation or warranty regarding the suitability of the part described herein for any particular purpose, and Pasternack does not assume any liability arising out of the use of any part or documentation.

# PE91606 CAD Drawing

2.4mm Male to 2.4mm Female Adapter, Stainless Steel, Engineering Grade

ZONE		REV	DESCRIPTION	DATE	CHANGED BY	APPROVED
		A	INITIAL RELEASE	03/06/2023	AKRESOWSKI	AGANWANI



**PE PASTERNAK**  
an INFINITIB brand

Website: [www.Pasternack.com](http://www.Pasternack.com)  
Phone: 1.866.727.8376 | 1.949.261.1920

UNLESS OTHERWISE SPECIFIED  
LEADING DIMENSIONS ARE INCHES  
DIMENSIONS IN [ ] ARE MILLIMETERS

TOLERANCES:  
X = +.2 [5] FRACTIONS  
XX = ±.02 [.5] ±.162  
.XXX = ±.005 [.13] ANGLES ± 1°  
CABLE LENGTH TOLERANCES:  
≤12 [305] = ±1 [25] / -0  
>12 [305] ≤ 60 [1524] = +2 [51] / -0  
>60 [1524] ≤ 120 [3048] = +4 [102] / -0  
>120 [3048] ≤ 300 [7620] = +6 [152] / -0  
>300 [7620] = +5% / -0

ALL DIMENSIONS ARE FOR REFERENCE ONLY  
AND SUBJECT TO CHANGE WITHOUT NOTICE

INTERPRET ALL DIMENSIONS AND  
TOLERANCES PER ASME Y14.5

SCALE NONE SHEET 1 OF 1

DESCRIPTION  
RF ADAPTER, 2.4 mm PLUG TO 2.4 mm JACK,  
50GHz, VSWR 1.3

SIZE	CAGE CODE	DRAWN BY	ITEM NO.	REV
A	53919	AKRESOWSKI	PE91606	A

NOTES:  
1. ITEM IS MARKED WITH CONNECTOR TYPE APPROXIMATELY WHERE SHOWN.

THE INFORMATION CONTAINED IN THIS DRAWING IS THE SOLE PROPERTY OF INFINITE ELECTRONICS, INC. ANY REPRODUCTION IN PART OR WHOLE WITHOUT THE WRITTEN PERMISSION OF INFINITE ELECTRONICS, INC. IS PROHIBITED. THESE COMMODITIES, TECHNOLOGY OR SOFTWARE WERE EXPORTED FROM THE UNITED STATES IN ACCORDANCE WITH THE EXPORT ADMINISTRATION REGULATIONS. DIVERSION CONTRARY TO U.S. LAW PROHIBITED.