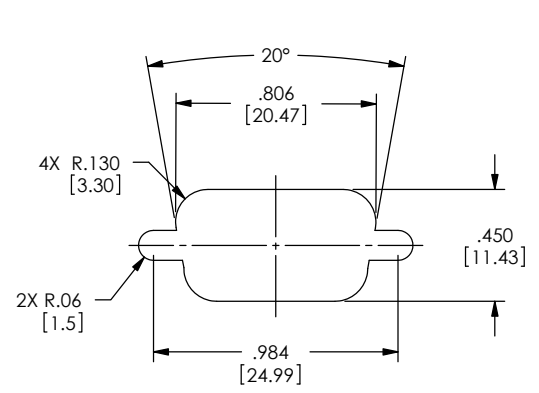


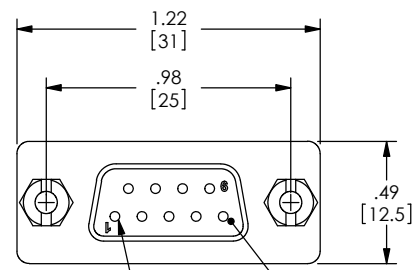
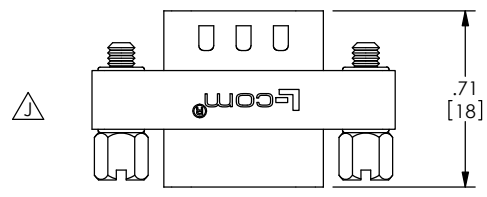
THE INFORMATION CONTAINED IN THIS DRAWING IS THE SOLE PROPERTY OF L-COM, INC. ANY REPRODUCTIONS IN PART OR WHOLE WITHOUT THE WRITTEN PERMISSION OF L-COM, INC. IS PROHIBITED.

REVISIONS			
REV	DESCRIPTION	DATE	CHANGED BY
G	ECN 9999: UPDATED DRAWING AND NEW FORMAT	01/20/2010	DFRISIELLO
H	ECN 5937: ADDED NOTE FOR PANEL MOUNTING	01/23/2012	DFRISIELLO
J	ECN 11061: REVISED L-COM LOGO		BGATES

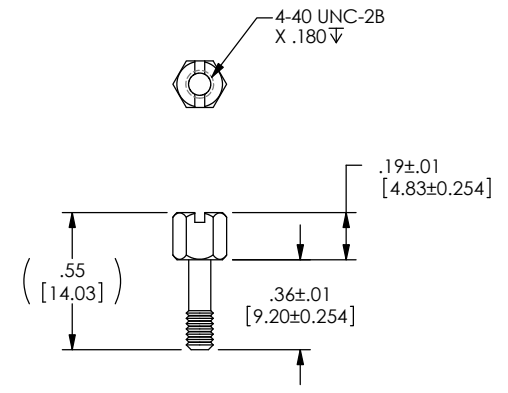


RECOMMENDED PANEL OPENING
(MAX PANEL THICKNESS: .006")

NOTE: DIFFERENT STANDOFFS AND JACK SCREWS ARE REQUIRED FOR PANEL MOUNTING. SEE WWW.L-COM.COM OR MASTER CATALOG FOR DETAILS.



FEMALE, 9 PIN D-SUB CONNECTOR



JACKSCREW SPECIFICATION

NOTES:
MATERIAL:
SHELL: STEEL
CONTACTS: COPPER ALLOY
HARDWARE: BRASS
INSULATOR: PBT FIBER REINFORCED (UL94V-0 RATED)

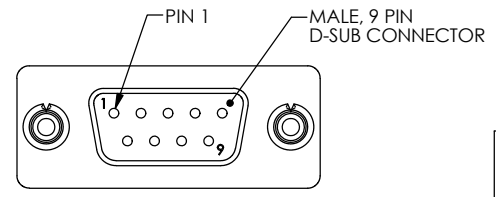
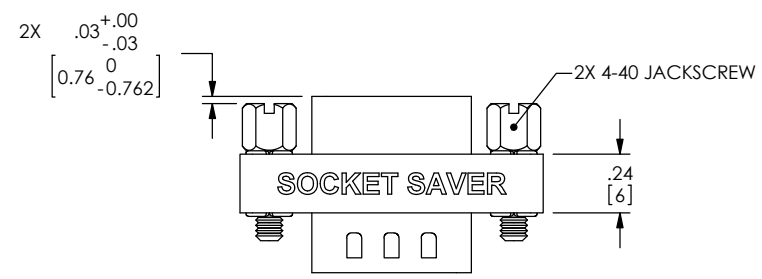
FINISH:
SHELL: TIN/NICKEL PLATED
CONTACTS: GOLD FLASH PLATED, 1-5µ INCHES
HARDWARE: NICKEL PLATED

ELECTRICAL:
CURRENT RATING: 3 AMP
INSULATION RESISTANCE: 1000 MΩ MIN @500 VDC
DIELECTRIC WITHSTANDING VOLTAGE: 1000 VAC (FOR ONE MINUTE)

MISCELLANEOUS:
OPERATING TEMPERATURE RANGE: -55°C TO +105°C.
ALL CONTACTS WIRED STRAIGHT THROUGH.
COMPONENT SHALL BE TESTED FOR CONTINUITY.

LABELING:
PANTONE 2945 BLUE. "L-COM" FONT MyriaMM REGULAR.
"SOCKET SAVER" FONT ARIAL BOLD, TEXT HEIGHTS; .085"
TEXT COLOR; WHITE.

PACKAGING:
COMPONENT SHALL BE INDIVIDUALLY PACKAGED IN ACCORDANCE WITH L-COM SPECIFICATION PS-0031.



UNLESS OTHERWISE SPECIFIED, DIMENSIONS ARE IN INCHES (mm). OVERALL CABLE LENGTH TOLERANCE: ≤12 [305] ≤60 [1524] = +2 [51] / -0 >60 [1524] ≤120 [3048] = +4 [102] / -0 >120 [3048] ≤300 [7620] = +6 [152] / -0 >300 [7620] = +5% / -0 ALL OTHER DIMENSIONAL TOLERANCES: .XX = ±.02 [5] FRACTIONS .XXX = ±.005 [13] ANGLES ± 1°	APPROVALS	DATE	 50 High Street, West Mill, North Andover, MA 01845 USA. Phone: 1.800.341.5266 1.978.682.6936
	DRAWN BY R.CARRICK	09/28/2002	
	CHECKED BY T.CLAIRE	09/28/2002	
	APPROVED BY D.PARHAM	09/28/2002	
CONFIGURATION DETAILS OF UNDIMENSIONED FEATURES MAY VARY	CATEGORY		D-SUBMINIATURE
THIRD-ANGLE PROJECTION	PRODUCT DESCRIPTION		SOCKET SAVER, DB9 MALE/FEMALE
COLOR VARIATIONS MAY OCCUR	SIZE	CAGE CODE	ITEM NO.
	B	43321	DGB9MF
	SCALE: NONE	CAD FILE: DGB9MF.SLDTRW	SHEET 1 OF 1