



3.5mm Female to 2.4mm Male Adapter, Stainless Steel, Engineering Grade

RF Adapters Technical Data Sheet

PE91632

Configuration

- 3.5mm Female Connector 1
- 2.4mm Male Connector 2
- 50 Ohm
- Engineering Grade Design
- Straight Body Geometry

Features

- Max VSWR of 1.25:1 up to 26.5 GHz
- Gold Over Nickel Plated Beryllium Copper Contact

Applications

- Allows Connection Between Series
- General Purpose Test

Description

Pasternack's PE91632 3.5mm female to 2.4mm male adapter is part of our full line of RF components available for same-day shipping. The 3.5mm connector mates mechanically with commercially available SMA and 2.92mm (K) connectors. The 2.4mm connector mates mechanically with commercially available 1.85mm (V) connectors. Our 3.5mm to 2.4mm adapter has a female to male gender configuration built of durable stainless steel in an engineering grade design. PE91632 3.5mm female to 2.4mm male adapter operates to 26.5 GHz. The Pasternack RF adapter provides excellent VSWR of 1.25:1 maximum.

RF adapters are often used to enable connections between two connector types that would otherwise not mate. Certain adapter configurations can also be used to protect connectors on expensive equipment where the number of connect/disconnect cycles is high. An RF, microwave or millimeter wave adapter is connected to the equipment, and the commonly changed connection is made with the adapter which can be easily replaced when it wears out after high usage; such adapters are referred to as connector savers. Pasternack also offers bulkhead, panel mount, hermetically sealed, reverse polarity, and isolated ground adapter varieties to serve all of your RF, microwave and millimeter wave needs.

Electrical Specifications

| Description | Minimum | Typical | Maximum | Units |
|--------------------------------------|---------|---------|---------|-------|
| Frequency Range | DC | | 26.5 | GHz |
| VSWR | | | 1.25:1 | |
| Operating Voltage (AC) | | | 150 | Vrms |
| Dielectric Withstanding Voltage (AC) | | | 500 | Vrms |
| Insulation Resistance | 5,000 | | | MOhms |
| RF Leakage | | | 100 | dB |

Performance by Frequency

| Description | F1 | F2 | F3 | F4 | F5 | Units |
|---------------------|---------|--------|----------|----------|-----------|-------|
| Frequency Range | DC to 1 | 1 to 2 | 2 to 4.5 | 4.5 to 9 | 9 to 26.5 | GHz |
| Insertion Loss, Max | 0.05 | 0.071 | 0.106 | 0.15 | 0.257 | dB |

Click the following link (or enter part number in "SEARCH" on website) to obtain additional part information including price, inventory and certifications: [3.5mm Female to 2.4mm Male Adapter, Stainless Steel, Engineering Grade PE91632](#)



3.5mm Female to 2.4mm Male Adapter, Stainless Steel, Engineering Grade

RF Adapters Technical Data Sheet

PE91632

Mechanical Specifications

Size

| | |
|--------|--------------------|
| Length | 0.93 in [23.50 mm] |
| Width | 0.31 in [7.90 mm] |
| Height | 0.31 in [7.90 mm] |
| Weight | 0.08 lbs [36.29 g] |

| Description | Connector 1 | Connector 2 |
|--------------------------------------|-------------------------------------|-------------------------------------|
| Type | 3.5mm Female | 2.4mm Male |
| Polarity | Standard | Standard |
| Mating Cycles, Min | 500 | 500 |
| Mating Torque | 7.1 to 9.7 in-lbs [0.80 to 1.10 Nm] | 7.08 to 9.74 in-lbs 0.80 to 1.10 Nm |
| Contact Captivation Axial Force, Min | 6.1 lbs [2.77 kg] | 4.5 lbs [2.04 kg] |
| Coupling Proof Torque | 15 in-lbs [1.7 Nm] | 15 in-lbs [1.7 Nm] |
| Coupling Retention, Min | 60.7 lbs [27.53 kg] | 60.7 lbs [27.53 kg] |

Material Specifications

| Description | Connector 1 | | Connector 2 | |
|-----------------|------------------|------------------|------------------|------------------|
| | Material | Plating | Material | Plating |
| Type | 3.5mm Female | | 2.4mm Male | |
| Contact | Beryllium Copper | Gold Over Nickel | Beryllium Copper | Gold Over Nickel |
| Insulation | PPO | | PPO | |
| Outer Conductor | | | Stainless Steel | Passivated |
| Body | Stainless Steel | Passivated | Stainless Steel | Passivated |
| Gasket | Silicone | | Silicone | |
| Coupling Nut | Stainless Steel | Passivated | Stainless Steel | Passivated |

Environmental Specifications

Temperature

Operating Range -55 to +105 °C

Humidity

MIL-STD-202, Method 206

Thermal Shock

MIL-STD-202, Method 107, Condition B

Salt Spray

MIL-STD-202, Method 101, Condition B

Click the following link (or enter part number in "SEARCH" on website) to obtain additional part information including price, inventory and certifications: [3.5mm Female to 2.4mm Male Adapter, Stainless Steel, Engineering Grade PE91632](#)



3.5mm Female to 2.4mm Male Adapter,
Stainless Steel, Engineering Grade

RF Adapters Technical Data Sheet

PE91632

Compliance Certifications (see [product page](#) for current document)

Plotted and Other Data

Notes:

3.5mm Female to 2.4mm Male Adapter, Stainless Steel, Engineering Grade from Pasternack Enterprises has same day shipment for domestic and International orders. Our RF, microwave and millimeter wave products maintain a 99.4% availability and are part of the broadest selection in the industry.

Click the following link (or enter part number in "SEARCH" on website) to obtain additional part information including price, inventory and certifications: [3.5mm Female to 2.4mm Male Adapter, Stainless Steel, Engineering Grade PE91632](#)

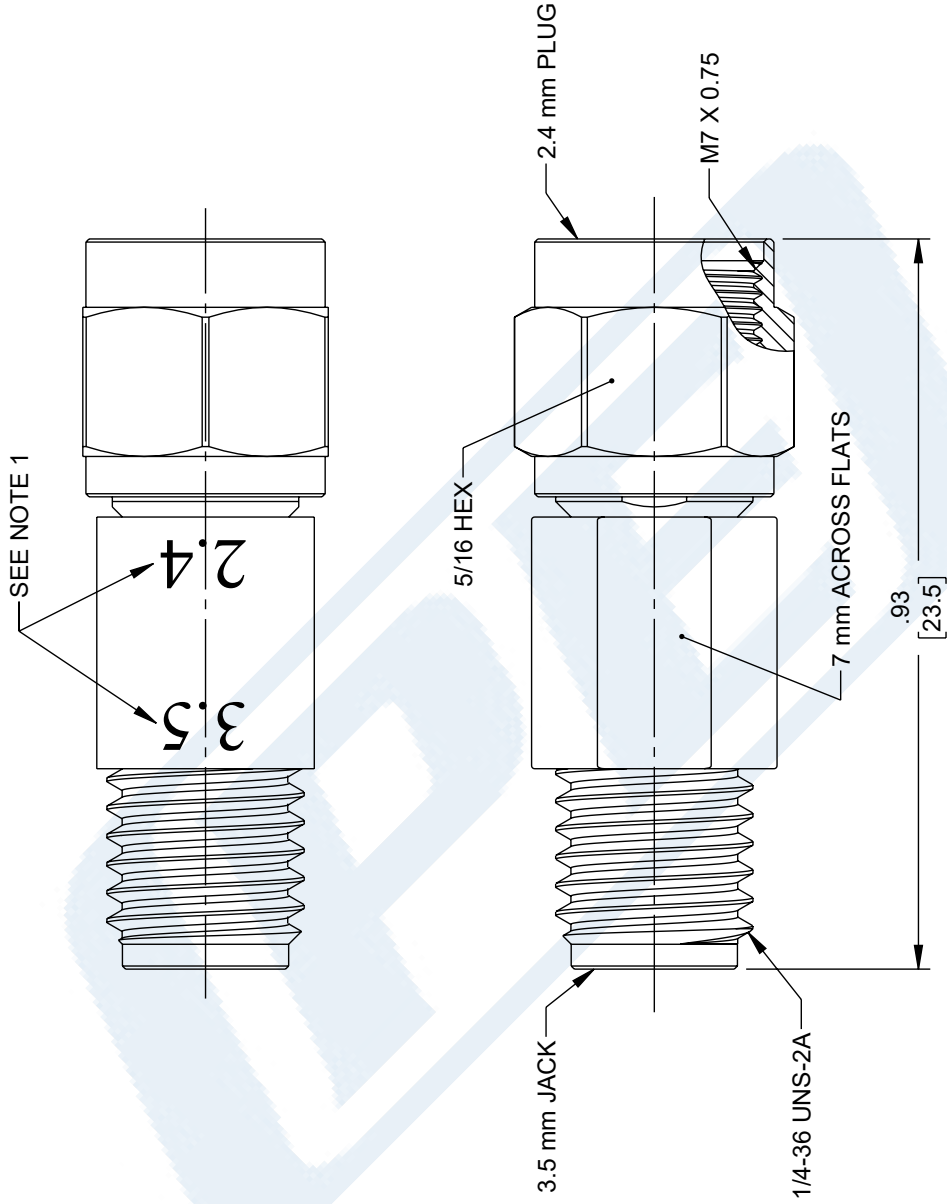
URL: <https://www.pasternack.com/engineering-grade-3.5mm-female-to-2.4mm-male-adapter-pe91632-p.aspx>

The information contained in this document is accurate to the best of our knowledge and representative of the part described herein. It may be necessary to make modifications to the part and/or the documentation of the part, in order to implement improvements. Pasternack reserves the right to make such changes as required. Unless otherwise stated, all specifications are nominal. Pasternack does not make any representation or warranty regarding the suitability of the part described herein for any particular purpose, and Pasternack does not assume any liability arising out of the use of any part or documentation.

PE91632 CAD Drawing

3.5mm Female to 2.4mm Male Adapter, Stainless Steel, Engineering Grade

| REVISION | | DATE | CHANGED BY | APPROVED |
|----------|-----|-------------|-----------------|----------|
| ZONE | REV | DESCRIPTION | INITIAL RELEASE | |
| | A | | DZINN | AGANWANI |



UNLESS OTHERWISE SPECIFIED LEADING DIMENSIONS ARE INCHES DIMENSIONS IN [] ARE MILLIMETERS

TOLERANCES:
 X = ±.2 [.5] FRACTIONS
 .XX = ±.02 [.5] ±.1/32
 .XXX = ±.005 [.13] ANGLES ± 1°

CABLE LENGTH TOLERANCES:
 ≤12 [305] = +1 [25] / -0
 >12 [305] ≤60 [1524] = +2 [51] / -0
 >60 [1524] ≤120 [3048] = +4 [102] / -0
 >120 [3048] ≤300 [7620] = +6 [152] / -0
 >300 [7620] = +5% / -0

ALL DIMENSIONS ARE FOR REFERENCE ONLY AND SUBJECT TO CHANGE WITHOUT NOTICE.

PE PASTERNAK
an INFINITIB brand

Website: www.Pasternack.com
 Phone: 1.866.727.8376 | 1.949.261.1920

SCALE: NONE SHEET: 1 OF 1

DESCRIPTION: RF ADAPTER, 3.5 mm JACK TO 2.4 mm PLUG 26.5GHz VSWR 1.25

| | | | | |
|------|-----------|----------|----------|-----|
| SIZE | CAGE CODE | DRAWN BY | ITEM NO. | REV |
| A | 53919 | DZINN | PE91632 | A |

NOTES:

- ITEM IS MARKED WITH CONNECTOR TYPE APPROX WHERE SHOWN.

THE INFORMATION CONTAINED IN THIS DRAWING IS THE SOLE PROPERTY OF INFINITE ELECTRONICS, INC. ANY REPRODUCTION IN PART OR WHOLE WITHOUT THE WRITTEN PERMISSION OF INFINITE ELECTRONICS, INC. IS PROHIBITED. THESE COMMODITIES, TECHNOLOGY OR SOFTWARE WERE EXPORTED FROM THE UNITED STATES IN ACCORDANCE WITH THE EXPORT ADMINISTRATION REGULATIONS. DIVERSION CONTRARY TO U.S. LAW PROHIBITED.